

#153 Mechanical Seal Options

1331655 (Std.) Cast Iron Stationary Seat, Carbon Seal Face, FKM O-Rings. (IVCV)

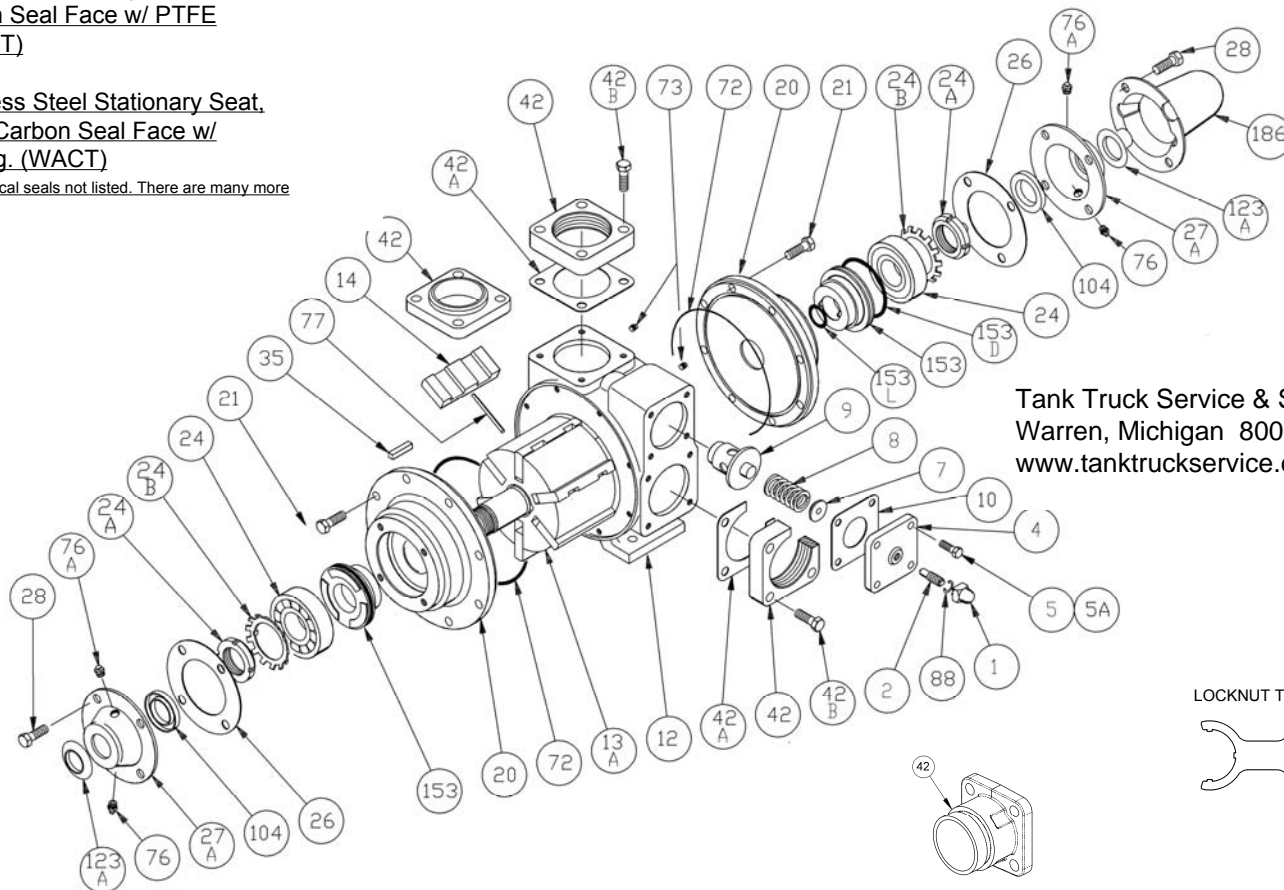
331601 Cast Iron Stationary Seat, Carbon Seal Face, Buna-N O-Rings. (INCN)

331673 Cast Iron Stationary Seat, PTFE O-Ring, Carbon Seal Face w/ PTFE Seal Ring. (IACT)

331648 Stainless Steel Stationary Seat, PTFE O-Ring, Carbon Seal Face w/ PTFE Seal Ring. (WACT)

Please call for mechanical seals not listed. There are many more configurations.

BLACKMER PARTS LIST PUMP MODELS TXD2.5A (DOUBLE ENDED SHAFT) TX2.5A (SINGLE ENDED SHAFT) EFFECTIVE NOVEMBER, 2016



Tank Truck Service & Sales, Inc
Warren, Michigan 800-482-2678
www.tanktruckservice.com

LOCKNUT TOOL

Ref. No.	Description	Parts Per Pump	Part No.	Ref. No.	Description	Parts Per Pump	Part No.
1	Cap – Relief Valve (R/V)	1	411453	28	Capscrews – Bearing Cover	8	920285
2	Adjusting Screw – R/V	1	431401	35	Key – Shaft Square	1	^{1,2} 909209
4	Cover – Relief Valve	1	411607	42	Flanges		
5	Capscrew – R/V Cover	3	920316	42A	Gasket – Flange		See Backside
5A	Capscrew w / Hole – R/V Cover	1	920310	42B	Capscrews – Flange		
7	Spring Guide – R/V	1	423955	42C	O-Ring – Victaulic Flanges		
8	Spring – R/V (51-110 psi) (Std.)	1	471631	72	O-Ring – Head (FKM)		¹ 701914
	Spring – R/V (111-125 psi)		471614		O-Ring – Head (Buna-N)	2	¹ 701947
9	Valve – R/V ³	1	451623		O-Ring – Head (PTFE)		702242
	Valve – R/V (Nickel Plated)		451624	73	Gage Plug	2	908198
10	Gasket – R/V Cover	1	¹ 531603	76	Grease Fitting	2	317815
12	Cylinder – Pump	1	021605	76A	Grease Relief Fitting	2	701992
13A	Rotor/Shaft Assy. - Double Ended ⁴	1	261665	77	Push Rod	3	¹ 121607
	Rotor/Shaft Assy. - Single Ended ⁴		261667	88	Gasket – R/V Cap	1	¹ 701981
	Rotor/Shaft Assy. - Dbl End, Stainless Steel ⁴		261671	104	Grease Seal	1 - 2	¹ 331918
14	Vane – Duravane	6	¹ 091619	123A	Dirt Shield	1 - 2	¹ 701480
20	Head (Std.)	2	031425	186	Shaft Protector	1	341601
21	Capscrews – Head	16	920331		Air Valve Kit – Piston Type (FKM)		891725
24	Ball Bearing	2	¹ 903156		Air Valve Kit – Diaphragm Type		891696
24A	Locknut – Bearing	2	903521		Tool - Locknut		903091
24B	Lockwasher – Bearing	2	¹ 903522		Maintenance Kit (FKM)		898957
26	Gasket – Bearing Cover	2	¹ 381406		Maintenance Kit (Buna-N)		898951
27A	Bearing Cover	1 - 2	041431				
	Bearing Cover – Outboard, SE shaft	0 - 1	041433				

¹ Included in Maintenance Kit

² Maintenance Kit also includes Woodruff Key 909130 used previously

³ For Piston Style Air Operated RV see IOM 201-G00, Diaphragm Air RV – 201-F00, DMX Diaphragm RV – 201B-B00.

⁴ Includes Ref. Nos. 24A & 24B

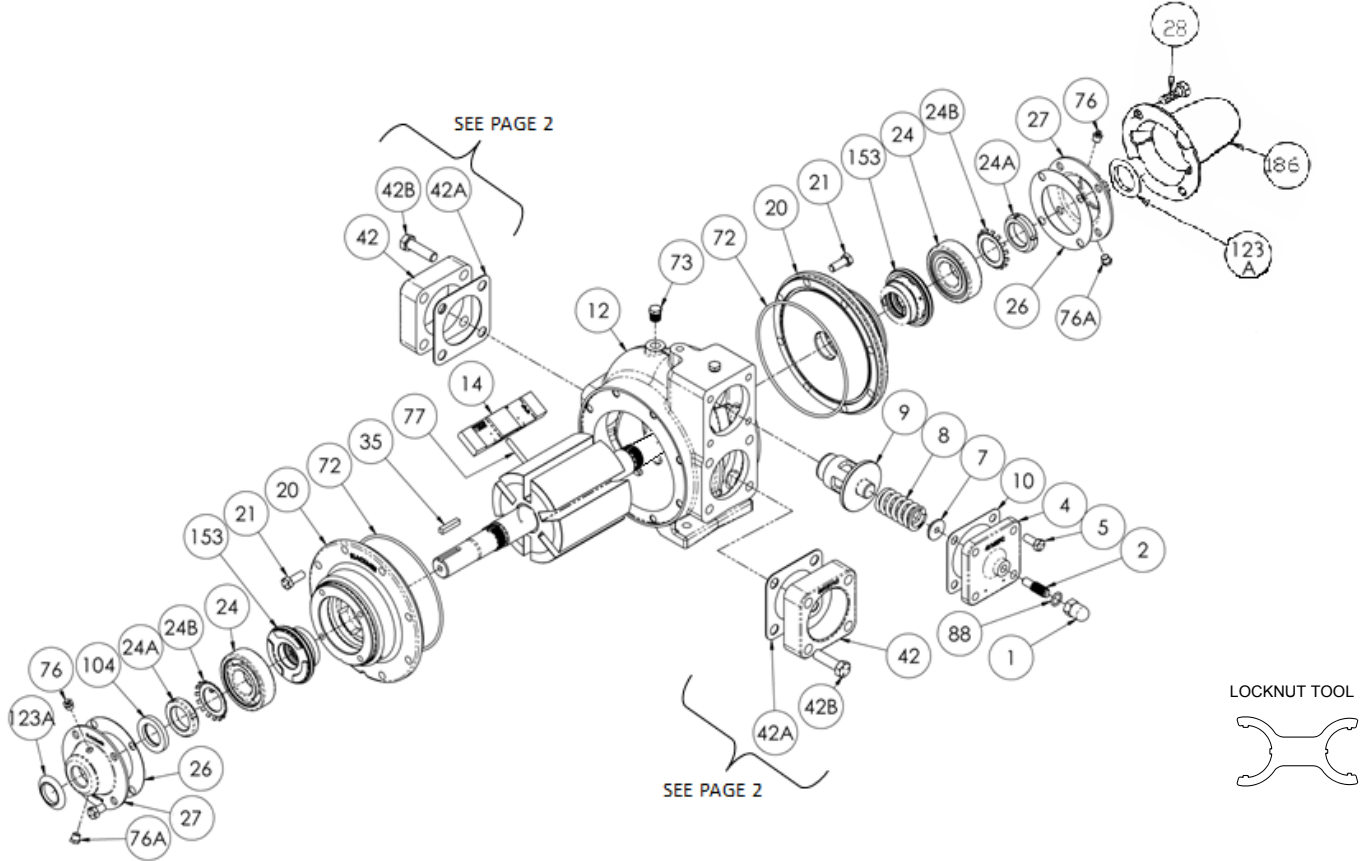
BLACKMER PARTS LIST

MODELS: TXDI2.5A (180° PORTS)

(Double Ended Shaft - Inline)

961616 **PARTS LIST**
Page 1 of 2 **201-A07**

Section 201
Effective July 2016
Replaces New



Ref. No.	Description	Parts Per Pump	Part No.	Ref. No.	Description	Parts Per Pump	Part No.
1	Cap – Relief Valve (R/V)	1	411453	28	Capscrews – Bearing Cover	8	920285
2	Adjusting Screw – R/V	1	431401	35	Key – Shaft Square	1	¹ 909209
4	Cover – Relief Valve	1	411607	42	Flanges		See Backside
5	Capscrew – R/V Cover	3	920316	42A	Gasket – Flange		
5A	Capscrew w / Hole – R/V Cover	1	920310	42B	Capscrews – Flange		
7	Spring Guide – R/V	1	423955	72	O-Ring – Head (FKM)		¹ 701914
8	Spring – R/V (51-110 psi) (Std.) Spring – R/V (111-125 psi)	1	471631		O-Ring – Head (Buna-N)	2	¹ 701947
			471614		O-Ring – Head (PTFE)		702242
9	Valve – R/V ³	1	451623	73	Gage Plug	2	908198
	Valve – R/V (Nickel Plated)		451624	76	Grease Fitting	2	317815
10	Gasket – R/V Cover	1	¹ 531603	76A	Grease Relief Fitting	2	701992
12	Cylinder – Pump	1	021635	77	Push Rod	3	¹ 121607
13A	Rotor/Shaft Asy. - Double Ended ⁴	1	261665	88	Gasket – R/V Cap	1	¹ 701981
	Rotor/Shaft Asy. - Dbl End, Stainless Steel ⁴		261671	104	Grease Seal	1 - 2	¹ 331918
14	Vane – Duravane	6	¹ 091619	123A	Dirt Shield	2	¹ 701480
20	Head (Std.)	2	031425	186	Shaft Protector	1	341601
21	Capscrews – Head	16	920331		Tool - Locknut		903091
24	Ball Bearing	2	¹ 903156		Maintenance Kit (FKM)		898957
24A	Locknut – Bearing	2	903521		Maintenance Kit (Buna-N)		898951
24B	Lockwasher – Bearing	2	¹ 903522				
26	Gasket – Bearing Cover	2	¹ 381406				
27A	Bearing Cover	1 – 2	041431				
	Bearing Cover – Outboard, SE shaft	0 - 1	041433				

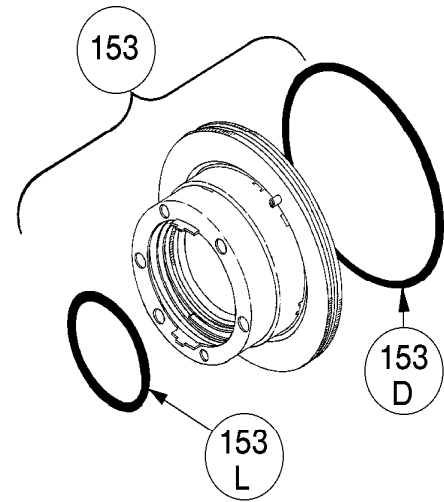
¹ Included in Maintenance Kit

³ For Piston Style Air Operated RV see IOM 201-G00, Diaphragm Air RV – 201-F00, DMX Diaphragm RV – 201B-B00.

⁴ Includes Ref. Nos. 24A & 24B

MECHANICAL SEALS

REF. NO.	PART NAME	PARTS PER PUMP	PART NO.
153	Mechanical Seal Complete - Cast Iron Stationary Seat, Carbon Seal Face, FKM O-Rings. (IVCV)	2	1 331655
	Mechanical Seal Complete - Cast Iron Stationary Seat, Carbon Seal Face, Buna-N O-Rings. (INCN)		1 331601
	Mechanical Seal Complete - Cast Iron Stationary Seat, PTFE O-Ring, Carbon Seal Face w/ PTFE Seal Ring. (IACT)		331673
	Mechanical Seal Complete - Cast Iron Cast Iron Stationary Seat, Carbon Seal Face, FKM/BUNA O-Rings. (IVCN)		331741
153D	O-Ring - Stationary (FKM)	2	701921
	O-Ring - Stationary (Buna-N)		701934
	O-Ring - Stationary (PTFE)		702056
153L	O-Ring - Rotating (FKM)	2	701980
	O-Ring - Rotating (Buna-N)		701922
	O-Ring - Rotating (Buna-N)		2 702162
	Seal Ring - Rotating (PTFE)		**

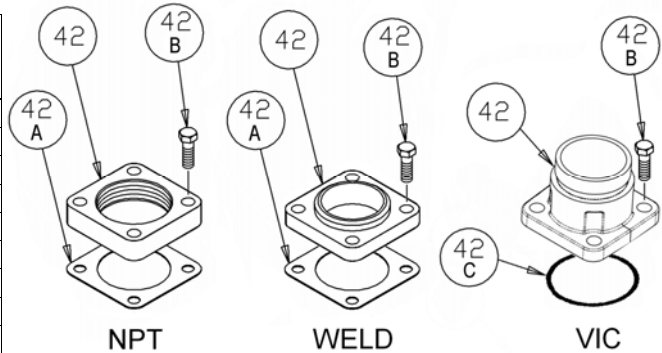


¹ Included in Maintenance Kit n ² Part of seal #331741

** PTFE Rotating Seal Ring is not available as a separate part.

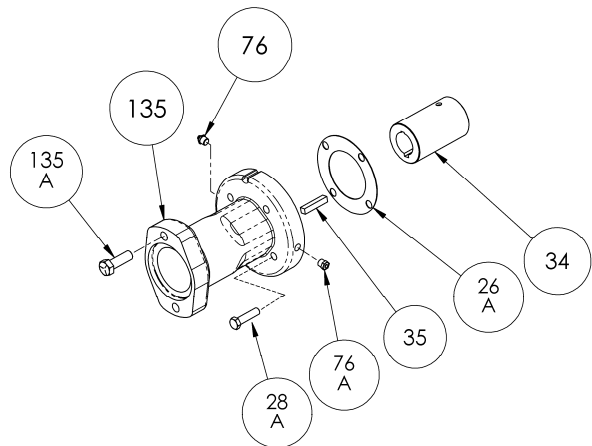
FLANGES

REF. NO.	PART NAME	PARTS PER PUMP	PART NO.
42	Flange - 2" NPT	1 - 2	651603
	Flange - 2 1/2" NPT		651611
	Flange - 2 1/2" Weld		651608
	Flange - 2" Victaulic		655116
	Flange - 2 1/2" Victaulic		655117
	Flange - 3" Victaulic		655118
42A	Gasket - Flange, NPT and Weld	0 - 2	1 381650
42B	Capscrews - 2" NPT Flange	4 - 8	920471
	Capscrews - 2 1/2" NPT Flange		920532
	Capscrews - 2 1/2" Weld		920491
	Capscrews - Victaulic Flanges		920491
	O-Ring - Victaulic Flange (Buna-N)		0 - 2
42C	O-Ring - Victaulic Flange (FKM)		701924
	O-Ring - Victaulic Flange (PTFE)		702079



OPTIONAL HYDRAULIC MOTOR ADAPTER PARTS

REF. NO.	PART NAME	PARTS PER PUMP	PART NO. 1-1/4" Hyd Motor Shaft	PART NO. 1" Hyd Motor Shaft
	Hydraulic Motor Adapter Kit *		891458	891205
26A	Gasket - Hydraulic Motor Adapter	1	383940	383940
28A	Capscrew - Hydraulic Motor Adapter / Head	4	920369	920369
34	Coupling w/ Setscrew - for straight key hyd. motor shaft	1	906967	906966
35	Key - Coupling	1	909184	N/A
76	Grease Fitting	1	317815	317815
76A	Grease Relief Fitting	1	701992	701992
135	Hydraulic Motor Adapter - SAE A Flange	1	041828	041827
135A	Capscrew - Adapter / Motor	2	920510	920510



* Hydraulic Motor Adapters shipped prior to Spring 2002 were a two piece design - refer to 206-B00.

